

XCD 3,4/75P

DATASHEET

The XCD 3,4/75P is a HASSELBLAD™ X System medium format lens that features 10 elements in 10 groups, including one aspheric element and three Extra-low Dispersion (ED) elements. Thanks to the compact and lightweight design, aperture of f/3,4, and commonly used 59mm FF equivalent focal length, the lens is suitable for effortless portrait and documentary photography.

- **Lightweight and Portable:** Compact structure weighing 398g only.
- **Quiet and High-Speed Shutter:** Quiet shutter with speeds of up to 1/2000s.
- **Linear Focus Drive:** Uses internal focusing for quick and accurate focusing.

GENERAL LENS DATA

Focal Length	75mm
Equivalent Focal Length (24x36)	59mm
Aperture Range	f/3,4-f/32
Angle of View (diag/hor/vert)	40°/32°/25°
Length/Diameter	76/75mm
Length (from camera lens mount flange)	71mm
Weight (excl. caps and lens shade)	398g
Filter Diameter	72mm

CLOSE FOCUS RANGE DATA

Minimum distance object to image plane	0.55m
Maximum image scale	1:5.8
Corresponding area of coverage	26x19cm
Corresponding exposure reduction	0f-stops

COMPATIBILITY

- Hasselblad X System cameras & 907X cameras



LENS DESIGN

- 10 elements in 10 groups
- 1 aspherical element
- 3 extra-low dispersion elements

FOCUS TYPE

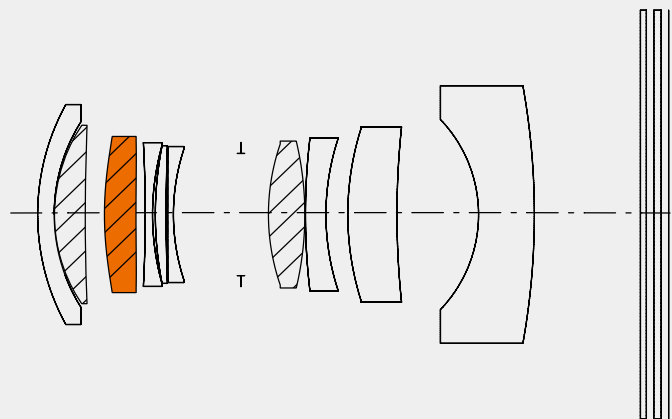
Internal focusing

ENTRANCE PUPIL POSITION

52mm in front of image plane

The entrance pupil position is the correct position of the axis of rotation when making a panorama image by combining individual images of a scene.

- : Aspherical Lens elements
- ▨ : ED Lens elements

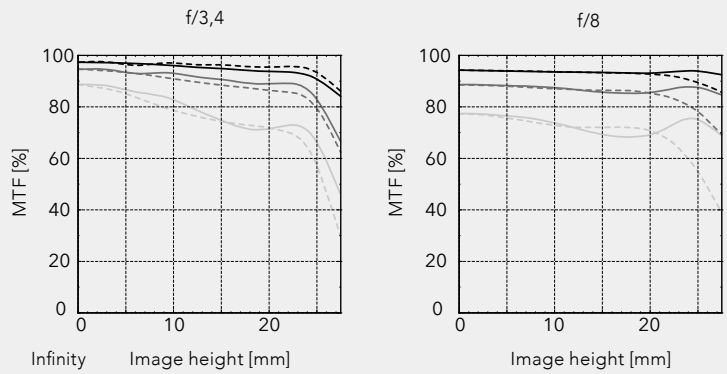


MTF

Modulation Transfer as a function of image height at infinity setting.

Sagittal slit orientation drawn with continuous line and tangential with dashed. White light. Spatial frequencies 10, 20 and 40 lp/mm.

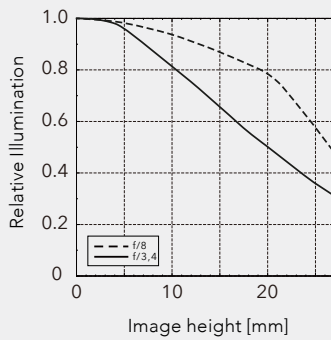
MTF plot data includes diffraction.



RELATIVE ILLUMINATION

Infinity setting.

When images are imported to Phocus, light fall-off is automatically removed.



DISTORTION

Infinity setting.

When images are imported to Phocus, distortion is automatically removed.

