

X2D 100C

Camera Type	Mirrorless Medium Format Digital Camera with autofocus, auto-exposure, interchangeable lenses
Construction	Machined aluminium. Tripod socket 1/4"
Sensor Type	Back-side illuminated (BSI) CMOS, 100 megapixels (11656 × 8742 pixels, pixel size 3.76µm)
Sensor Dimensions	43.8 × 32.9mm
Image Size	Stills: 3FR RAW: capture 206MB on average
File Format	Hasselblad 3FR RAW, full size JPEG
Drive Mode	Single and Continuous Drive, Self Timer, Interval Timer, Exposure Bracketing
Colour Definition	16-bit; dynamic range up to 15 stops
Image Stabilization	5-axis 7-stop in-body image stabilization (IBIS)
ISO Speed Range	ISO Auto, 64, 100, 200, 400, 800, 1600, 3200, 6400, 12800, 25600
Storage Options	Built-in 1TB SSD. Extra CFexpress Type B card with a max storage capacity of 512GB supported.
Recommended Memory Cards	Sony CEB-G series CFexpress Type B memory cards (128GB) SanDisk Extreme Pro CFexpress Type B memory cards (128GB, 256GB, 512GB)
Colour Management	Hasselblad Natural Colour Solution (HNCS)
Capture Rate	3.3fps in a 14-bit colour depth
User Interface	Touch interface including swipe, scroll and pinch/spread to zoom. Camera grip with buttons and scroll wheels.
Touch Display	3.6-inch TFT type, 24-bit full-colour, 2.36-million-dot. Touch functionality: full support. Tilting angle: 40°, 70°
Top Display	1.08-in TFT type, 18-bit full-colour, 158,400-dot
Electronic Viewfinder (EVF)	OLED, 5.76-million-dot. Viewing area: 100%. Magnification: approx. 1.00x with 65mm medium format lens at infinity, -1 m ⁻¹
Histogram Feedback	Yes, in Browse mode on touch display and in EVF
IR Filter	Mounted in front of sensor
Software	Phocus is compatible with computers with 8GB of RAM or more running on macOS 10.15 or later, or Windows 7 64-bit or later. Phocus Mobile 2 is compatible with iPad models with 3GB of RAM or more and with iPhone X or later models running iOS 15.0 or later.
iOS Device Support	iPad models with 3GB of RAM or more and iPhone X or later models running iOS 15.0 or later
Platform Support	macOS 10.15 or later, or Windows 7 64-bit or later
Host Connection Type	USB 3.1 Gen2 Type-C connector (transfer speed up to 10Gbit/s)
Operating Temperature	-10° to 45° C (14° to 113° F)
Operating Humidity	No more than 85% without condensation
Wi-Fi	802.11b/a/g/n/ac/ax, Wi-Fi with 2×2 MIMO
Supported Lenses	Hasselblad XCD lenses with built-in electronically controlled leaf shutter and aperture. Automatic or manual focusing with instant manual focus override. Lens shades can be mounted in reverse for transport. Compatible with all H System Lenses and some H System accessories using the XH Lens Adapter. Also compatible with V System and XPan Lenses using the XV or XPan Lens Adapter.
Shutter	Electronically controlled leaf shutter with speeds up to 1/4000s. Flash sync at all speeds. Optional electronic shutter

Shutter Speed	68 min to 1/4000s with XCD Lenses*. Up to 1/800s or 1/2000s with HC/HCD Lenses. Electronic shutter 68 min to 1/6000s.
Flash Sync Speed	Flash can be used at all shutter speeds. Mechanical shutter only.
Flash Control	TTL centre weighted system. Compatible with Nikon System flashes. ISO range 64 to 25600. Flash output can be adjusted (-3 to +3 EV) for fill-in purposes independent of ambient light. Sync at all shutter speeds. Mechanical shutter only.
Flash Compatibility	In TTL-mode, the following Nikon Flash products can be used: SB-300, SB-500, SB-5000, SB-700, SB-900, SB-910. The following Profoto products can be used in TTL-mode: A1, B1 and B2 with Nikon interface.
Focusing	Autofocus single (AF-S) and manual focus (MF). Instant manual focus override. Automatic focusing using phase and contrast detection. Focus indicator or 100% zoom available in MF. Up to 294 Phase Detection Autofocus (PDAF) zones.
Exposure Metering	Spot, centre weighted, and centre spot
Power Supply	Rechargeable Li-ion battery (7.27VDC/3400mAh). Can be charged in-camera via the USB-C port on the camera body. Charging time is approx. two hours using the included 30W USB-C charger.
Dimensions	148.5 × 106 × 74.5mm
Weight	895g (camera body with the battery); 790g (camera body only)
Guaranteed software updates until	2026/12/31

* The fastest shutter speed varies depending on the lens in use. Refer to the datasheet of the corresponding lens.

XCD 2,5/55V

The XCD 2,5/55V lens features nine elements in eight groups, including three aspheric elements. Equivalent to a full frame 43 mm focal length, this standard lens delivers top-class optical performance with a compact build and supports an image resolution of over 100 megapixels. A large aperture of f/2.5 makes it perfect for varied scenarios both indoors and outdoors. Equipped with an upgraded leaf shutter, the XCD 2,5/55V can reach a shutter speed up to 1/2000s and delivers

flash synchronisation at all speeds. The shutter is fast and quiet, and is complemented by the newly designed focusing module delivering quick and accurate focusing. The XCD 2,5/55V lens has both a focus ring and a lens control ring. Changing between AF and MF is achieved by a convenient push and pull of the focus ring. In MF mode, easily check the focus distance and DOF readings. The control ring can be customised for quick access to your preferred function.

GENERAL LENS DATA

Focal length	55 mm
Equivalent Focal length (24x36)	43 mm
Aperture range	2,5 - 32
Angle of view diag/hor/vert	53°/43°/32°
Length/diameter	72/76 mm
Length (from camera lens mount flange)	67 mm
Weight (excl. covers and lens shade)	372 g
Filter diameter	72 mm
Product number	CP.HB.00000718.01

CLOSE FOCUS RANGE DATA

Minimum distance object to image plane	0,45 m
Maximum image scale	1:6,4
Corresponding area of coverage	28 x 21 cm
Corresponding exposure reduction	0 f-stops

COMPATIBILITY

- Hasselblad X System & 907x cameras



LENS DESIGN

9 elements in 8 groups
3 aspherical elements

FOCUS TYPE

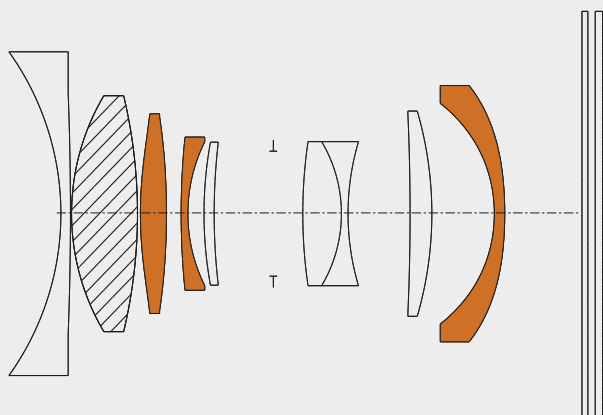
Internal focusing

ENTRANCE PUPIL POSITION

47 mm in front of image plane

The entrance pupil position is the correct position of the axis of rotation when making a panorama image by combining individual images of a scene.

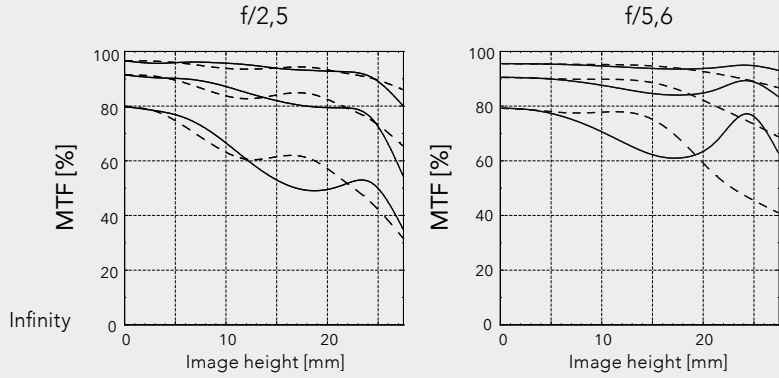
- : Aspherical Lens elements
- : ED Lens elements



MTF

Modulation Transfer as a function of image height at infinity setting.

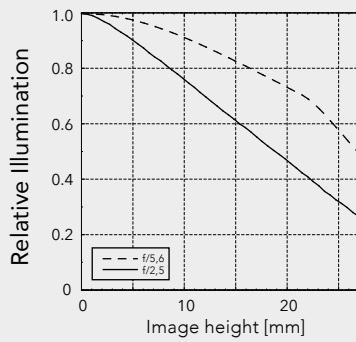
Sagittal slit orientation drawn with continuous line and tangential with dashed. White light. Spatial frequencies 10, 20 and 40 lp/mm.



RELATIVE ILLUMINATION

Infinity setting.

When images are imported to Phocus, light fall-off is automatically removed.



DISTORTION

Infinity setting.

When images are imported to Phocus, distortion is automatically removed.

